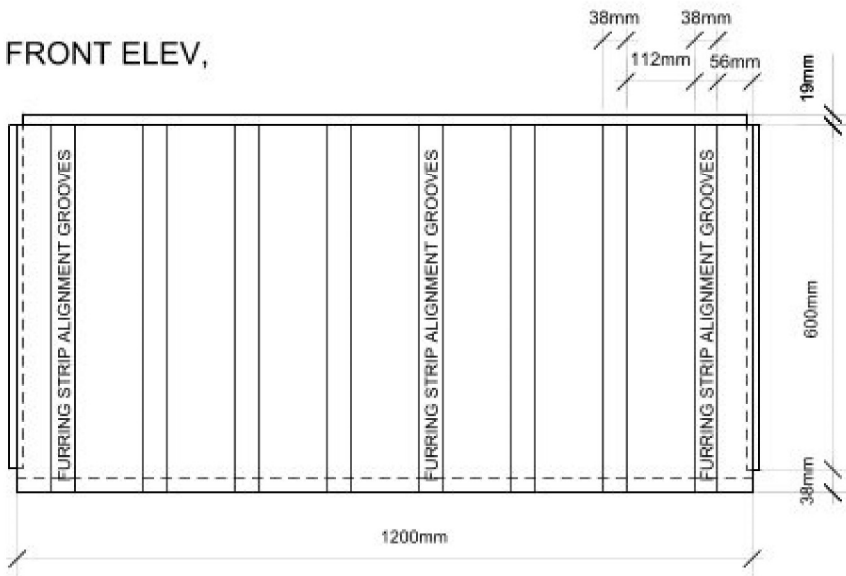


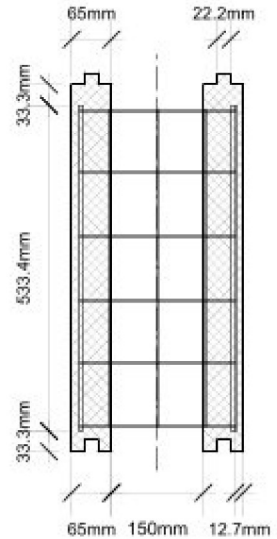
1  
1.01

# PSI-4600-2-65 150mm Straight Form - Full Size

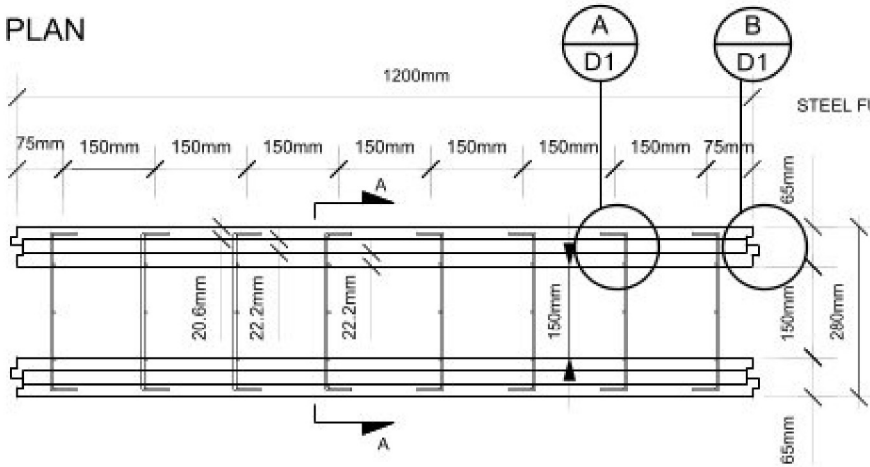
FRONT ELEV,



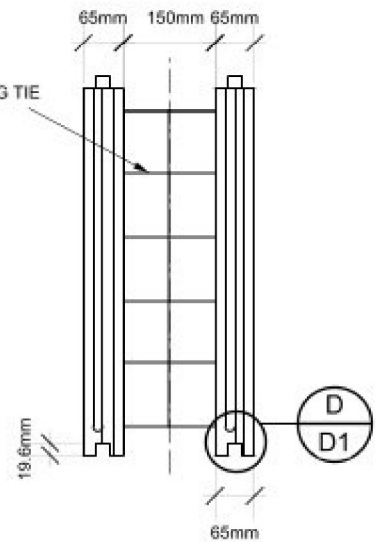
SECTION A



PLAN



END ELEV,



DUE TO VARIANCES IN LOCAL CODES, CONSTRUCTION PRACTICES, AND REQUIREMENTS ALL DETAILS SHALL BE CONSTRUCTED IN ACCORDANCE WITH SUCH LOCAL CODES, CONSTRUCTION PRACTICES, AND REQUIREMENTS REGARDLESS OF DETAIL CONSTRUCTION SHOWN IN THIS DRAWING. IT IS THE RESPONSIBILITY OF THE ARCHITECT OR ENGINEER OF RECORD TO PROVIDE THE INFORMATION REQUIRED TO SUITE LOCAL BUILDING CODES AND REGULATIONS. POLYSTEEL UK Ltd RESERVES THE RIGHT TO CHANGE INFORMATION SHOWN WITHOUT NOTICE.



## WARMERWALL by PolySteel PSI 4000 Series

SCALE: N/A	APPROVED BY:	DRAWN BY: AMH
DATE: Oct 2018		REVISED: PMB

Copyright 2018 PolySteel UK Ltd	DETAIL #: <b>PSI-01.01</b>
------------------------------------	-------------------------------

Tel: 01242 692335

www.warmerwall.co.uk