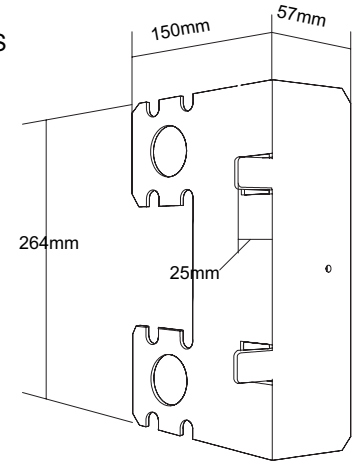


12.5MM PLASTERBOARD, SCREWED TO FURRING STRIPS WITHIN EPS, OR ALTERNATIVELY SPOT & DAB WITH PROPRIETARY ADHESIVE & SCREW FIX THE HEAD OF THE PLASTERBOARD SHEET AT 600MM MIN. CTRS (MIN. TWO FIXINGS) BACK TO FURRING STRIPS.

DIETRICH TRADE READY METAL JOIST SYSTEM SCREW FIXED TO ICFLC CONNECTOR PLATE AS MANUFACTURERS RECOMMENDATIONS

PLASTERBOARD SCREWED TO UNDERSIDE OF METAL JOISTS

(SIMPSON) "ICFLC" CONNECTOR SPACED AS REQUIRED & BY MANUFACTURERS RECOMMENDATIONS



ICFLC

EXTERNAL FINISH INDICATIVE ONLY, HOWEVER IF USING BRICKWORK, BRICKS TO BE TIED AT 450MM VERTICAL CTRS & 750MM HORIZONTAL CTRS (NOT STAGGERED) USING STAINLESS STEEL WALL TIES SCREWED BACK TO FURRING STRIPS WITHIN EPS. LENGTH OF TIE TO SUIT WIDTH OF BRICKWORK

NOTE: ALTHOUGH IT MAY NOT BE NECESSARY FOR REINFORCEMENT TO BE INCORPORATED FOR STRUCTURES UP TO THREE STOREYS IN HEIGHT, STRUCTURES UP TO FOUR STOREYS AND INDIVIDUAL SITE CONDITIONS MAY DICTATE OTHERWISE & THEREFORE AN ENGINEER / ARCHITECT SHOULD BE CONSULTED IN THESE CIRCUMSTANCES. ALL DETAILS ARE TO CONSTRUCTED IN ACCORDANCE WITH CURRENT BUILDING CODES AND REGULATIONS. POLYSTEEL UK RESERVES THE RIGHT TO CHANGE INFORMATION SHOWN WITHOUT NOTICE



Tel: 08703 822229 Fax: 08701 696869 www.polysteel.co.uk

**Floor to wall (for detached house)
Diétrich Steel Joist System**

SCALE: 1:10	APPROVED BY:	DRAWN BY: CSW
DATE: MAY 2005		REVISED: 30.09.05
Copyright 2005	POLYSTEEL UK	DRWG. No. 05/DET01